



AV7000 is the innovative linear camera setting a new paradigm in the T&L market.

AV7000 is characterized by superior optic performance, extended Auto-ID capabilities, advanced SW functions for image elaboration and data archiving, with excellent tools for operational analysis and process optimization.

Combining the benefits of a next generation CMOS sensor with 40% greater sensitivity and exclusive Datalogic patented technologies, the new AV7000 provides High Definition Images and software functionality that exceed customer expectations.

With a large Field of View (1400 mm -55 inch), the AV7000 is the perfect solution to collect High Definition images in a single picture on a large conveyor, instead of multiple partial pictures.

Thanks to Pulsed Lighting Systems – a Datalogic patented technology - a multi-sided AV7000 reading station now requires 50% less space than a non-pulsed lighting system for applications that demand a smaller footprint.

The AV7000 camera system is ideal for the most demanding applications in Parcel Sorting for Express Courier and Retail Distribution Company.



IDENTIFICATION

Pulsed Lighting System	Next generation high performance CMOS sensor	Digital Zoom	Single shot high definition image	Next generation autofocus system	Stop-N -Go reading conditions	Next generation definition decoding library	Web browser configuration tool	LINUX Operating System

HIGHLIGHTS

- Next generation CMOS sensor with 40 % greater sensitivity
- Single view high quality picture for large conveyors (1400 mm/55 inch)
- Patented Autofocus System offering extended DoF
- Patented PLS technology technology, reducing the footprint of the reading station by 50%
- Patented Digital Zoom technology assuring constant DPI resolution
- Next generation decode algorithm for poor quality codes
- Multiple format image saving from full definition to highly compressed JPG
- Browser based interface compatible with any kind of OS and HW platform including PC and Tablet
- Redundant architecture with no single point of failure
- Software tools for image saving and data intelligence
- Linux operative system

TARGET MARKETS AND APPLICATIONS

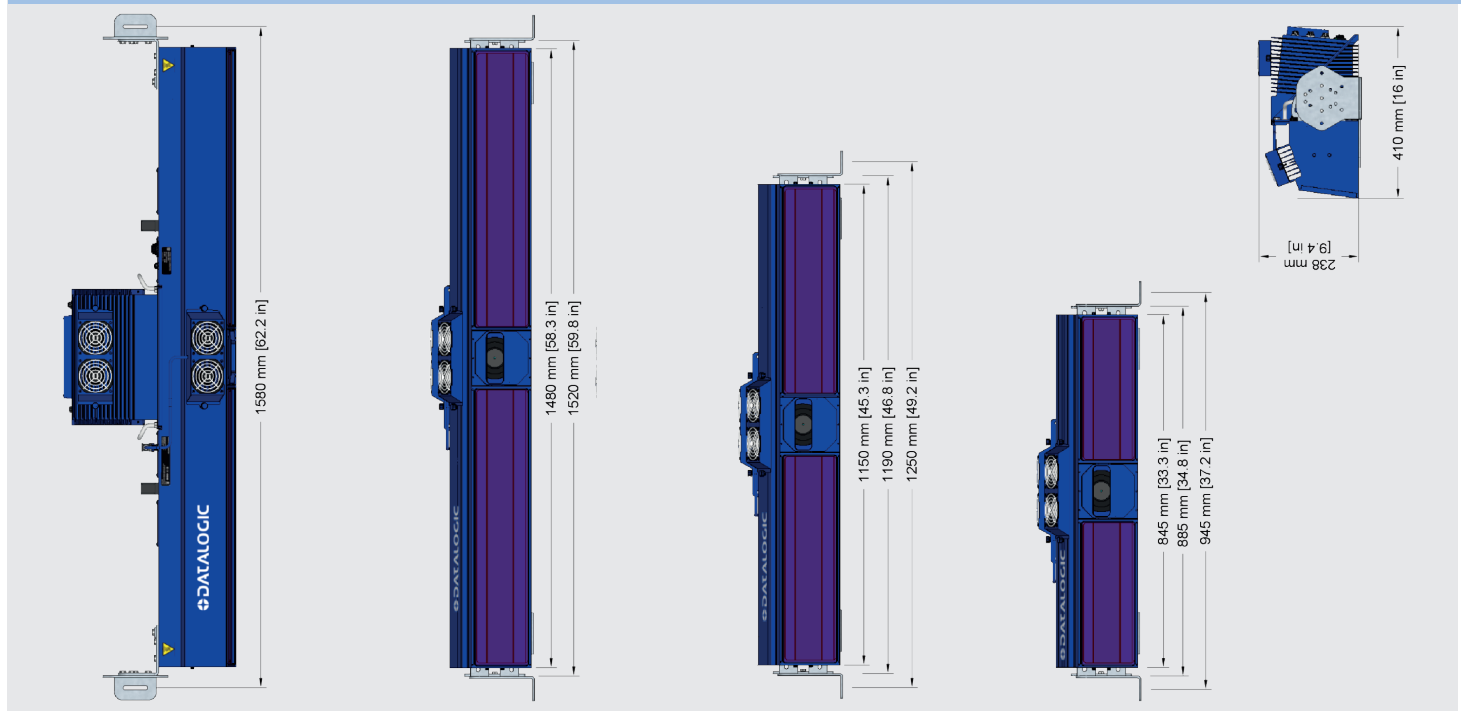
- Parcel sorting
- Dimension Weigh Scan System
- OCR and Videocoding
- Extended ID and image saving

TECHNICAL SPECIFICATIONS

Field of View	up to 1400 mm (55.12 in)
Max Resolution	110 to 260 pixels/inch (DPI) *
Scan Rate	33,000 scans/s (33kHz)
Imager Sensor Features	High Speed CMOS Line Scan (8192 pixels)
Optical lens	90 mm, 110 mm and 140 mm *
Aperture Angle	15° to 45° *
Readable Barcodes	All Standard 1D and 2D Symbologies
IP Rating	IP65
Dimensions (Typical Value)	with external fans and Short Illumination: 845x416x237 mm [33.3x16.4x9.3 in] with external fans and Medium Illumination: 1150x416x237 mm [45.3x16.4x9.3 in] with external fans and long Illumination: 1480x416x237 mm [58.3x16.4x9.3 in]
Weight	11kg [24 lbs]
Temperature Range	Operating: 0° to 50° C [32° to 122° F] Storage: -20° to 70° C [-4° to 158° F]
Power Supply/Consumption	23-26VDC at illuminator connector
Case Material	Aluminum die-cast
Ethernet	1 Gigabit Ethernet for decoding data to Host (may also be used for setup) 1 Gigabit Ethernet for image file transfer to Host
Serial Ports	1 Main (COM) RS232/RS485FD opto-isolated serial port up to 115.2 Kbit/s 1 Aux RS232 opto-isolated serial port up to 115.2 Kbit/s
Internal Communication System	SyncNet Technology
Digital Inputs	3 x Inputs (2 + 1 x "Encoder"), optocoupled, NPN/PNP
Digital Outputs	2 x Outputs SW programmable, optocoupled, event driven, NPN

* Depends on model and/or application type

MECHANICAL DRAWINGS



MODELS

MODEL	DESCRIPTION	PART NUMBER
AV7000 Reader		
AV7000-1000	140mm f/5.6 STD	934001000
AV7000-1100	140mm f/5.6 SHORT RANGE	934001010
AV7000-1200	110mm f/8.0	934001020
AV7000-1300	90mm f/8	934001030
AI7000 Illumination		
AI7000-800	SHORT LIGHTING SYS	934001100
AI7000-1100	MEDIUM LIGHTING SYS	934001110
AI7000-1500	LONG LIGHTING SYS	934001120
AI7000-800W	SHORT WHITE LIGHTING SYS	934001200
AI7000-1100W	MEDIUM WHITE LIGHTING SYS	934001210
AI7000-1500W	LONG WHITE LIGHTING SYS	934001220

